



MODUL+
INDUSTRIAL PARTITION WALL



... a multi-purpose
**INDUSTRIAL
PARTITION WALL**



Protects goods

from theft and damage



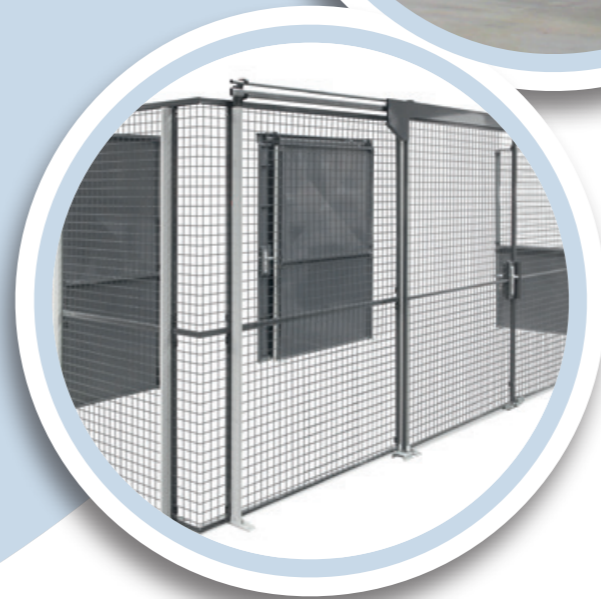
Demarcates

storage areas and work stations



Organises

production sites



Protects employees

through effective demarcation



... The ULTIMATE PARTITION WALL



Quick and easy to install

The panels lock directly onto the uprights as they are assembled. Limited tools required for assembly.



Stylish

You can choose a colour scheme to match your company's design and environment. Standard colours: panels in anthracite RAL 7024 and uprights in pearl grey RAL 7035.



Grows with your company

because this self-supporting system is fully modular. For example, the panels are interchangeable or can be replaced by a mesh door without having to dismantle the overall structure.

A wide range of sizes and a large selection of upright and door finishes are also available in the catalogue.



New connection system

The innovative new connection system makes assembly easy and ensures that the partitionwalls cannot be disassembled from the outside.

Panel assembly is quick and is done by simple clamping.



Made in Europe

in accordance with human and environmental values. Fast delivery with a 24h dispatch option.

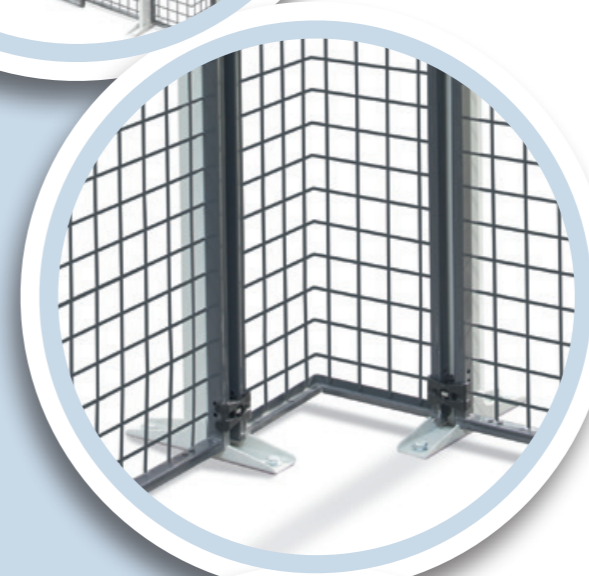


... a multi-solution
**Industrial partition
wall** with many
components and
accessories



Panels

- Mesh panel 50x50x3.5mm
- Steel sheet panel
- Polycarbonate panel.



Uprights and fixing plates

Profiled with a floor fixing plate and a unique locking system for quick and easy attachment of panels.



Numerous accessories

- Service hatches
- Top panels
- Starting bay fixings and wall finishes
- Mesh roofs
- Mesh or steel sheet corner panels.



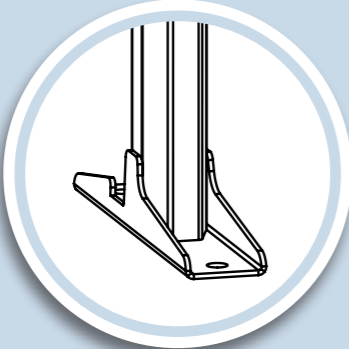
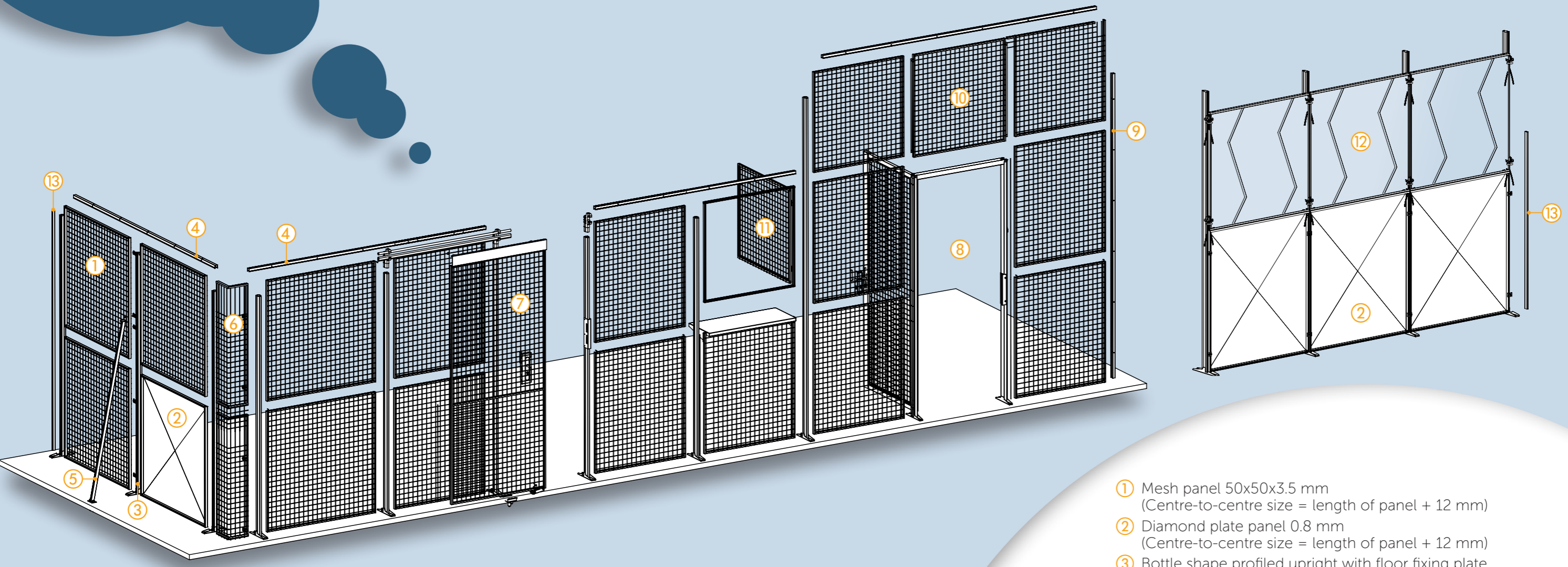
Doors

Hinged leaf or sliding, single or double, lock as standard with 3 keys.
The steel sheet hinged leaf door is available with panic bar locking system.



MODUL+

technical information



- Standard colours:**
- Panels and doors RAL 7024
 - Uprights RAL 7035

- ① Mesh panel 50x50x3.5 mm
(Centre-to-centre size = length of panel + 12 mm)
- ② Diamond plate panel 0.8 mm
(Centre-to-centre size = length of panel + 12 mm)
- ③ Bottle shape profiled upright with floor fixing plate
- ④ "U" profile 31x30x1.5 mm
- ⑤ Stabiliser
- ⑥ Corner panel
- ⑦ Sliding mesh door (also available in a teardrop sheeting version and in a semi-mesh version)
- ⑧ Hinged leaf mesh door with lock as standard with 3 keys
(also available in a diamond plate version and in a semi-mesh version)
- ⑨ "U" profile wall fixing
- ⑩ Mesh top panel
- ⑪ Service hatch
- ⑫ Plexiglass panel
- ⑬ Finishing tube 25x15 mm for cut panels
- Mesh roof
- Diamond plate hinged leaf door, 8mm, panic bar
- Modular hinged leaf mesh door



MODUL+

technical information

Panels

(dimension in mm)

Dimension	500	750	1000	1200	1500
Center-to-center length	512	762	1012	1212	1512

! Centre-to-centre size = length of panel + 12 mm.

Single sliding door

(dimension in mm)

H	2200	2400	3000
H1	2313	2513	3113
H2	2301	2501	3101

L	1000	1200	1500	2000	2400	3000
L1	1000	1200	1500	2000	2400	3000
L2	772	972	1272	1772	2172	2772

As standard the sliding doors are designed with a retractable hanger rail allowing free passage for high trolleys and wheeled equipment.

The ground-tracking sprung castors allow for floor unevenness of up to 3mm per linear metre.

Double sliding door

(dimension in mm)

H	2200	2400	3000
H1	2313	2513	3113
H2	2301	2501	3101

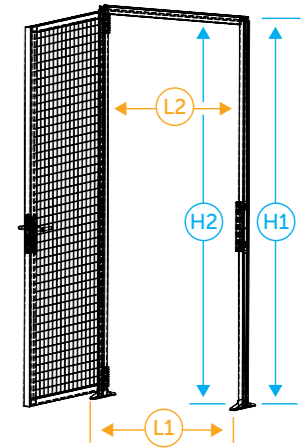
L	2200	2400	3000
L1	2200	2400	3000
L2	1798	1998	2598

Single hinged leaf door

(dimension in mm)

H	2200	2400	3000
H1	2193	2393	2993
H2	2148	2348	2948

L	1000	1200	1500
L1	982	1182	1482
L2	960	1160	1460

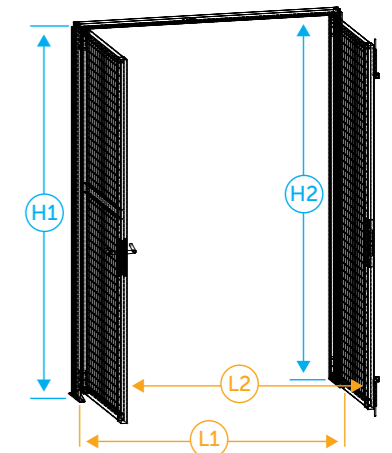


Double hinged leaf door

(dimension in mm)

H	2200	2400	3000
H1	2193	2393	2993
H2	2148	2348	2948

L	1000	1200	1500
L1	929	1129	1429
L2	741	941	1241



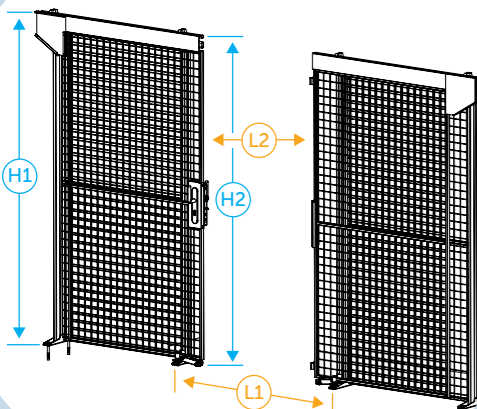
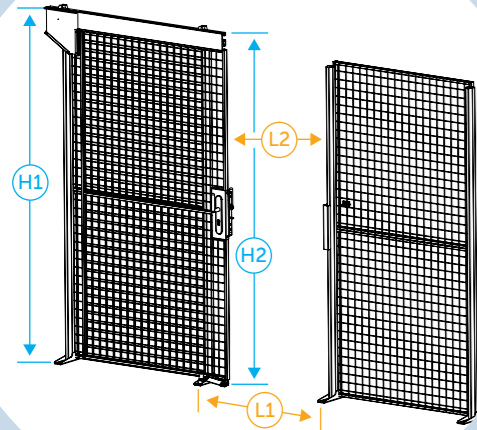
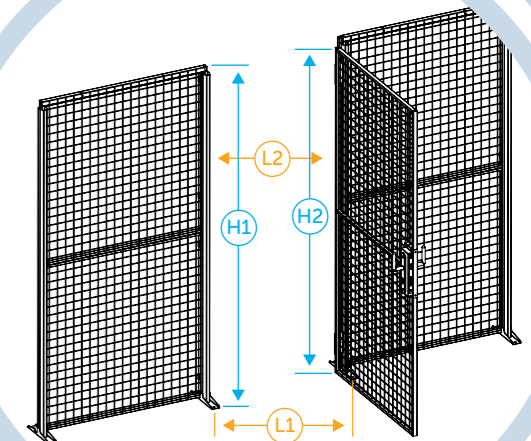
Modular hinged leaf mesh door

(dimension in mm)

H	2200	2400	3000
H1	2196	2396	2996
H2	2173	2373	2973

L	1000	1200	1500
L1	1000	1200	1500
L2	774	974	1274

The modular hinged leaf door hinges directly onto the existing uprights without disassembling the system already installed.



MODUL+

INDUSTRIAL PARTITION WALL

Protects goods • Demarcates • Organises • Protects employees

Quick and easy to install

Stylish

Grows with your company

Made in Europe

