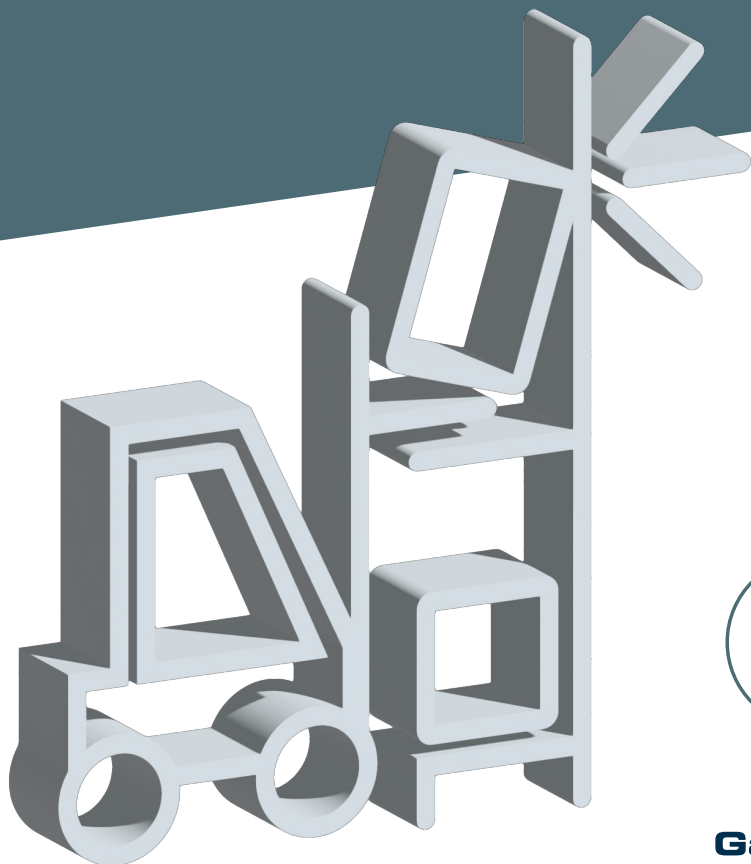


*Our*

# REAR MESH

*Simplify everyday life!*



  
**Garantell**



Once you used it,  
there will be **NO**  
**TURNING BACK.**

*As it is smart by its simplicity. Easy to install. Strong. Perfect fit. Adjustable. It simply answers your needs, whatever they are...*



**Garantell**



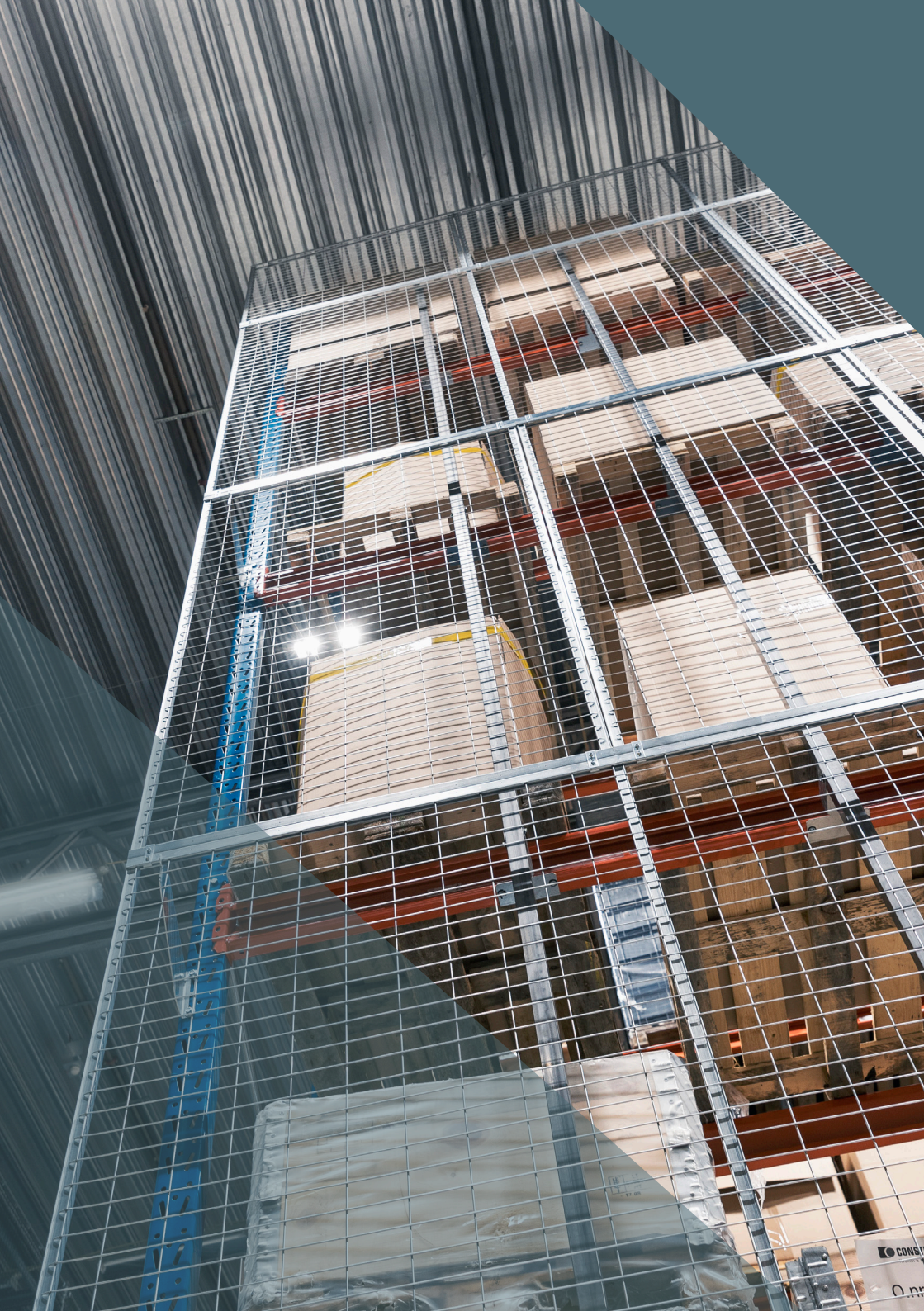
# NEED A SOLID SOLUTION?

*Our anti-collapse has a brick wall pattern.  
This enhances the strength.*

You can also choose the thread **thickness from 2,5 to 5mm**,  
and the mesh grid reinforcing the back cladding even more.

Furthermore, the use of brackets attached to the uprights  
allows space between the racking and the anti-collapse wall up  
to 600mm. Meaning that pallets being pushed slightly over the  
beams will not damage your rear mesh.





# NEED A PERFECT FITTING WHOLE SOLUTION?

*Our panels are produced in steps of 50mm in width and 1mm in height.*

Meaning it will cover the whole surface, avoiding cutting on site when installing. You do not have to take into account all the different beam widths, the whole solution will fit.

**It is made-to-measure.**

And for those who think this is not accurate enough, we have cutting kits so **you can cut off the last mm on site.**





12  
VAC

10  
VAC

10  
VAC



# NEED TO HAVE A SOLUTION IN NARROW SPACES?

*When optimising the use of space, you might want to go for tight fits.*

**No worries, our smallest bracket is 30mm deep.**

In combination with the profile of 30mm, we only need 60mm to offer you a solution with a bracket. If you do not even have 60 mm, you can also opt to have a direct mounting from the inside or outside.

Inside mounting is more complex to attach, but it makes the mesh more theft proof and comes in handy when the racking is in front of a wall needing protection or if you do not have much manoeuvre space when installing.





# NEED TO COMBINE REAR MESH

*with various beam levels and pallet stops?*

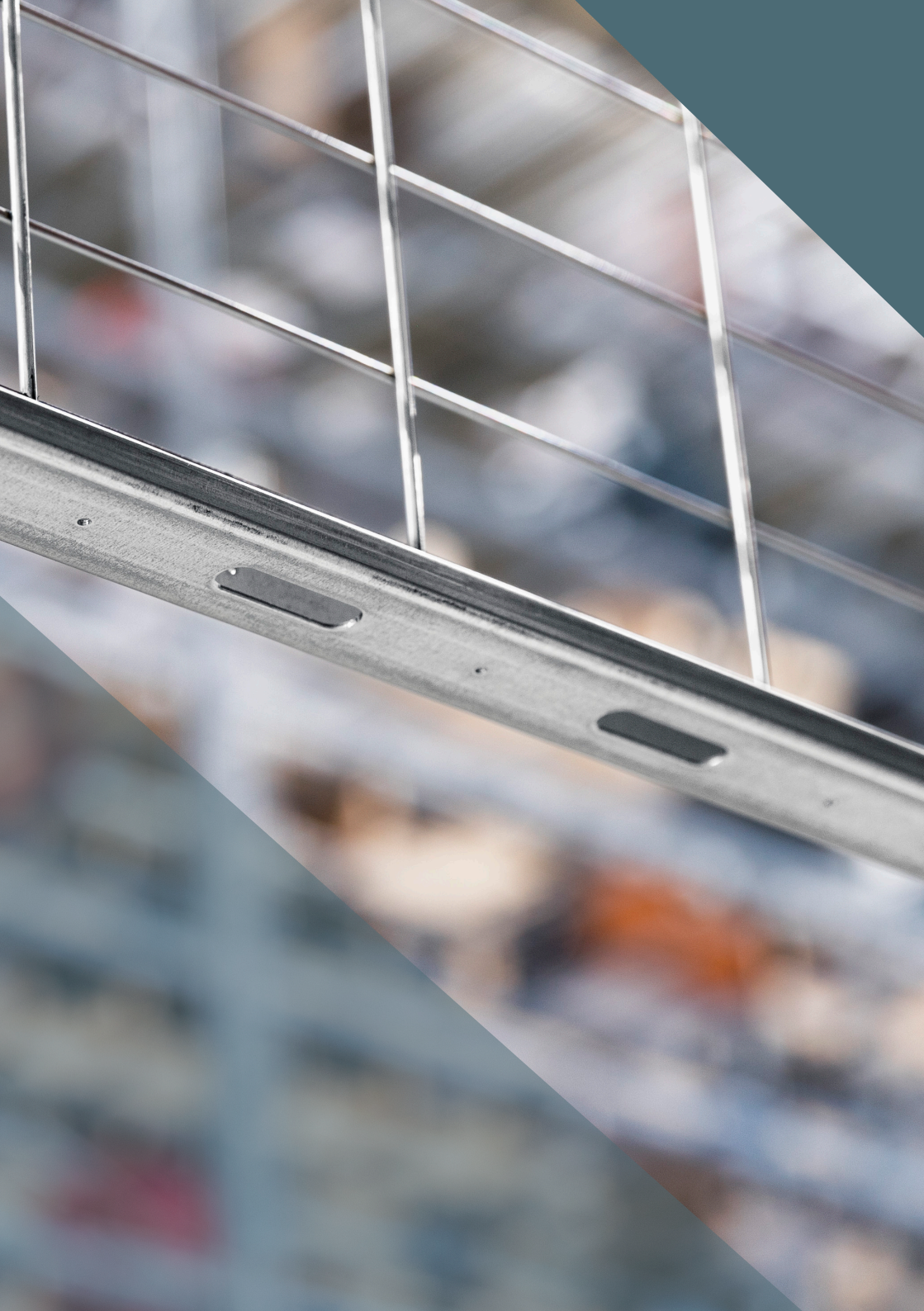
**Of course a racking can be a complex construction, with various uprights, beams at different levels and pallet stops.**

This means that you will not be able to mount your rear mesh everywhere, as there are collision points. That is why Garantell has introduced the concept 'blocked zones'. These are zones where no bracket can be attached.

By using blocked zones while designing your mesh wall it will always be ready to assemble, no surprises on site and no complex puzzles to make it fit.

If blocked zones cannot do the trick alone, you can combine them with our **special brackets, made on demand, having different shapes and sizes.**





# NEED AN EASY ASSEMBLY?

*This is more a rhetoric question we suppose,  
as the answer should be yes.*

**To be honest the first versions of our product years ago, made  
your life quite complex.**

But by innovating smartly and listening to our customers, the  
brick pattern, in combination with the outside mounting with  
clips and bolts, blocked zones and made-to-measure approach  
makes the assembly super-easy.

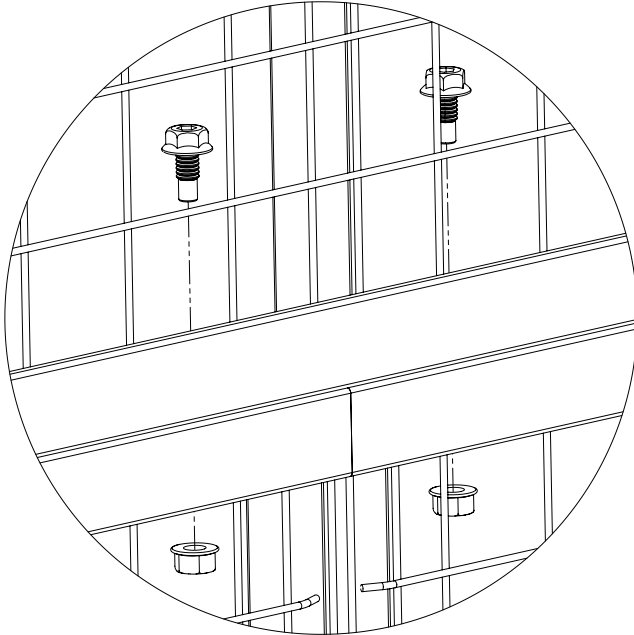
**Installers are therefore often our best ambassadors.**



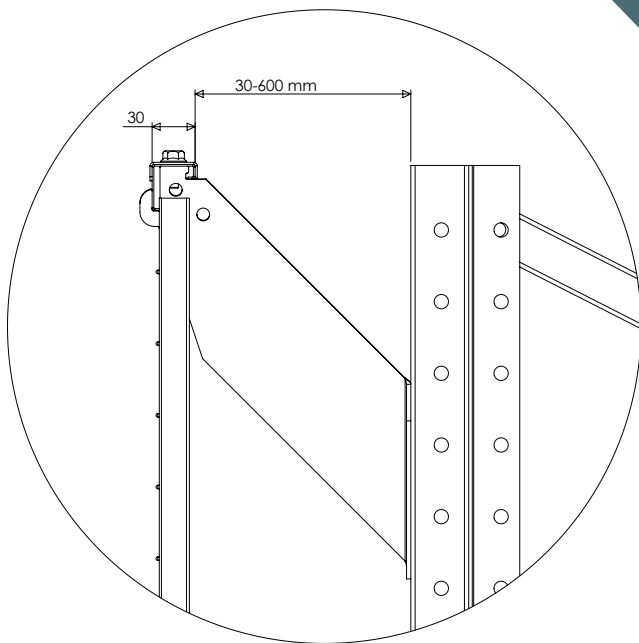
# MOUNTING INFORMATION

With inside mounting, a bolt and nut attach the different panel profiles horizontally. In the case of outside mounting, clips and screws will do the trick. With both mounting types, brackets attach the rear mesh panels to the uprights of the racking creating a distance between the panel and racking. If this is space is not wanted, direct mounting of the rear mesh to the racking uprights is suitable.

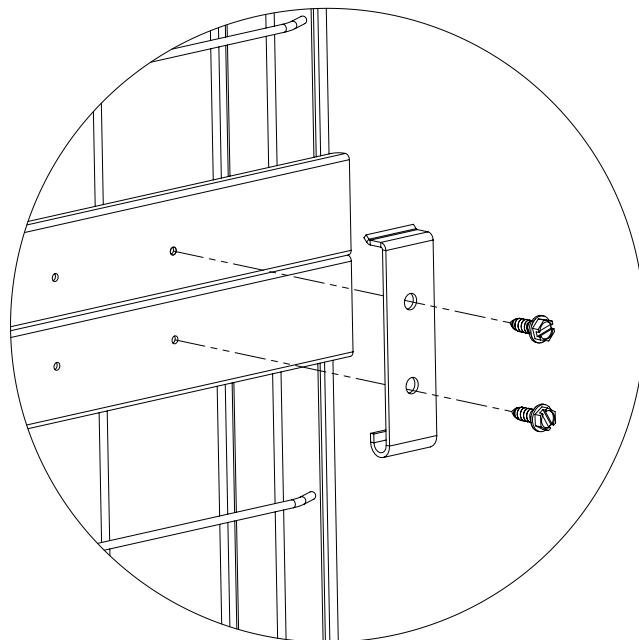
INSIDE MOUNTING



**BRACKET LENGTH**



**OUTSIDE MOUNTING**







# NEED AN ENTRY THROUGH YOUR REAR MESH?

*Of course, one might need a passage through an anti-collapse walls.*

**No worries, we have profiles in metal or rubber to help you finish the cutting safely.**

You can even combine it with doors of our machine guard line.

And yes, do not forget to complement it with one of our mesh decks to avoid goods falling on people's head, to make it extra safe.





# NEED A CAGE AROUND YOUR RACKING?

*Sometimes goods stored might need protection.*

**Or vice versa the building needs protection from what is stored inside the cage.**

In this end you can combine the rear mesh with a side mesh and a machine guard door. Creating a cage around the racking.

The use of rear mesh allows you to get a better price, avoiding to work with free standing uprights. **The rear mesh can also be attached to the floor, making it more difficult to enter.**





# NEED A SOLUTION WHEN USING AGV?

*Automated guided vehicles are quite common in the industrial landscape, exposing workers to additional hazards.*

Making sure both parties will not meet, our rear mesh can be used with small mesh grid (20x100mm) attached to the ground and often combined with side mesh.

**No unexpected encounters will occur, keeping the working environment efficient and safe.** To cut costs mesh grids can be combined, having a small grid down and a bigger one up.

**It does not compromise safety, but your accountant will be happy.**





# NEED TO KEEP THINGS OUT OF SIGHT?

*In this case we suggest to use a full plate rear mesh.*

This will need inside mounting and special brackets which we provide according to your needs.







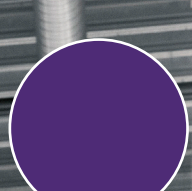
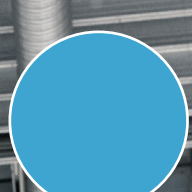
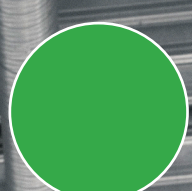
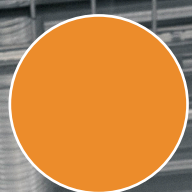
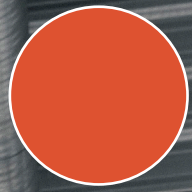
# NEED A REAR MESH HIGHER THAN YOUR RACKING?

*Sometimes not all your uprights have the same height.*

Or your goods on the racking are higher than the uprights, creating a dangerous situation. **Here a post extension can come in handy.**

The maximum height you can extend it with is 1800mm.





# NEED AN AESTHETIC SOLUTION?

*Our rear mesh comes with a blank thin galvanized finishing (corrosion class 2).*

**But if you need more colour, it can be powder coated in almost all RAL colours.**

So it fits in esthetical with the rest of the warehouse. As the environment is a major concern to us, we do recommend the uncoated product.





# NEED A QUICK QUOTE?

*You can design your anti-collapse wall yourself in the Garantellator, our online design tool.*

You just design your wall and put in the postal code of delivery. You will get a drawing, a price and a delivery time in a blink of an eye.

**Anywhere, anyhow, anytime.**





*Simplify  
everyday life!*



**Garantell**

[www.garantell.com](http://www.garantell.com)